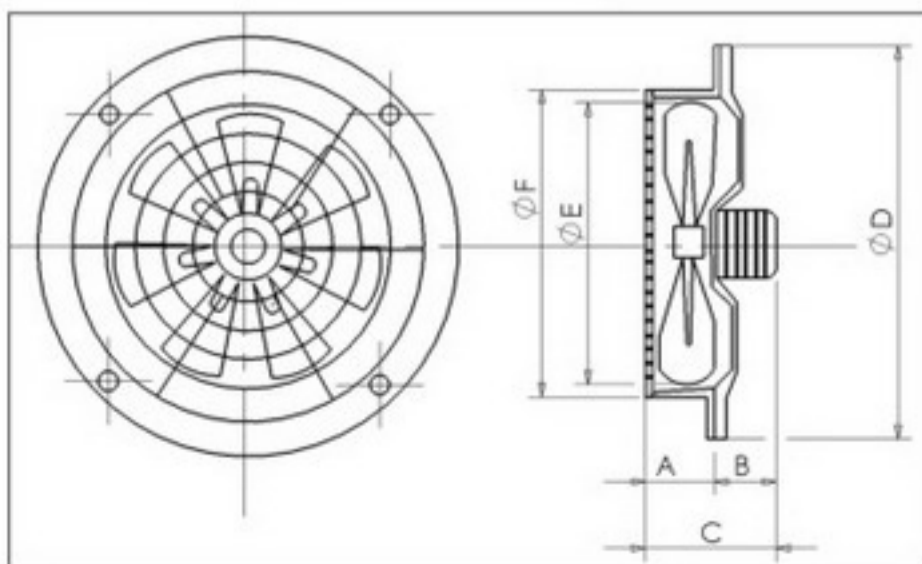


# AC INDUSTRIAL AXIAL FANS THREE PHASES

- ◆ Can be used in factories, stock depots, dye-houses, shopping centers, big halls, etc.
- ◆ Three phases.
- ◆ The casing is made of electrostatic powder - coated sheet metal.
- ◆ Motor bodies have been manufactured from aluminum injection.
- ◆ Rotor and motor parcels have been manufactured by silicic sheet iron.
- ◆ According to application area, due to circular metal protection grille which is mounted to front or both side of axial fan, outsider materials can not reach to the fan.
- ◆ Efficient running performance.
- ◆ 2 years warranty.
- ✓ Speed can be adjusted using an optional controller.



	Voltage	Speed	Power input	Air Flow	Weight
<b>TYPE</b>	V	rpm	W	m <sup>3</sup> / h	kg
BST 250-2K	380	2800	180	2200	7,2
BST 250	380	1400	100	1200	7
BST 300	380	1400	125	2000	8
BST 350	380	1400	175	3200	8,6
BST 400	380	1400	170	4500	8,9
BST 450	380	1400	210	5000	10,2
BST 500	380	1400	230	5500	10,8
BST 550	380	1400	220	6000	14,6
BST 600	380	1400	200	8000	15,6



TYPE	A	B	C	D	E	F
BST 250-2K	107	105	212	305	250	260
BST 250	107	105	212	305	250	260
BST 300	115	125	240	365	290	310
BST 350	115	125	240	420	340	360
BST 400	115	125	240	470	390	410
BST 450	115	125	240	520	440	460
BST 500	115	125	240	570	490	510
BST 550	130	170	300	630	540	560
BST 600	130	170	300	680	580	610

Dimensions are in (mm)