

BDKF Series Rectangular Duct Fans

The use of Rectangular In-Line Duct Fans worldwide has grown widely. Bahçivan Brand Rectangular In-Line Duct Fans engineered for medium and large ventilation needs where space is at a premium.

BDKF Rectangular fans developed and manufactured for high performance, trouble-free, and direct-to-duct operations. With the range's unique design BDKF fans are very compact units, which can be easily installed directly within rectangular duct system without need of large elbows or conduction sections. With regard to the air movement, BDKF series fans have an optimum design to circulate peak quantity air against high static pressure in the duct systems.

With wide range of use, attractive technical specifications, and decorative, elegant design, BDKF series Bahçivan Fans have been put into operation in more than 40 countries worldwide.

Description :

BDKF rectangular in-line duct fans comprise of 8 models in 10 sizes. BDKF series fans are designed to suit rectangular in-line applications with standard nominal diameter ducting sizes of 30x15, 40x20, 50x25, 60x30, 60x35, 70x40, 80x50 and 100x50 cm.

Models BDKF 40x20 and BDKF 70x40 are manufactured in two versions; standard type coded as A and a high performance type B. Airflow performances of the BDKF series range from 485 to 8000 m³/h and pressure up to 900 Pa.

Construction & Motor:

The BDKF range series has a galvanized sheet-steel housing. It is powered by an external rotor motorized impeller. The impellers are backward curved, galvanized, and designed to produce maximum airflow performance against high static pressure in ducted systems with minimum noise. The motorized impeller is mounted on a hinged door - the user just swings the door out for easy access to the impeller for maintenance. BDKF series rectangular in-line duct fans are suitable for operation in any position. All BDKF series fans utilize powerful Bahçivan external rotor motorized impellers. The motor's enclosed design allows the fan to operate in moisture and even dusty environment. IP 44 protection, Class B Insulation (-15° C to +40° C permissible operation temperatures) Automatic reset thermal overload protection (BDKF 60-35 - BDKF 100-50). Electrical connection should be provided easily from the clamp located on the cable lead. Sealed for Life, ball bearing assemblies.

Applications :

The BDKF rectangular in-line duct fan series is perfect for use in residential, commercial, and industrial environments, for ventilation applications such as:

Residential – bathrooms, toilets, utility rooms, indoor swimming pools, gyms, and storerooms.

Commercial – cafes, bars, restaurants, shops, schools, offices, factories, buildings, warehouses, night clubs, pubs, hotels, shopping centers, and leisure centers.

Industrial – Equipment cooling, workshops, and spot ventilation.

Benefits :

- High Efficiency
- Space Saving
- Easy maintenance
- Low noise level
- Vibration-free operation
- 100% speed controllable
- 2 Years factory warranty

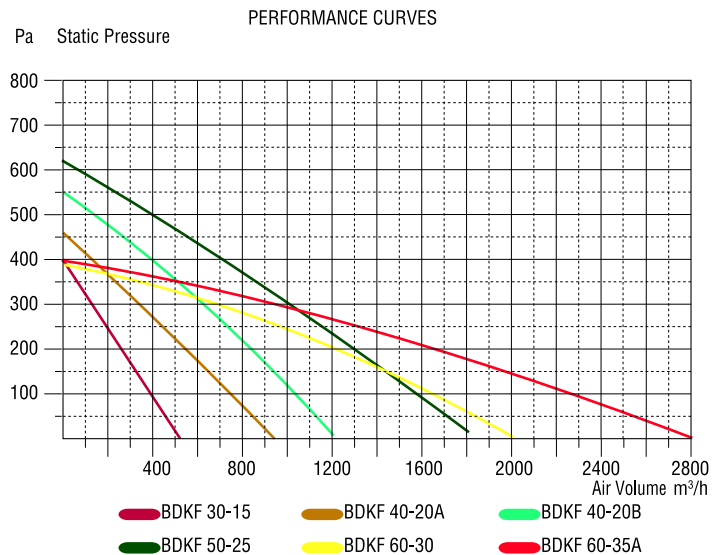
Accessories:

BSC-1 Speed Control Device

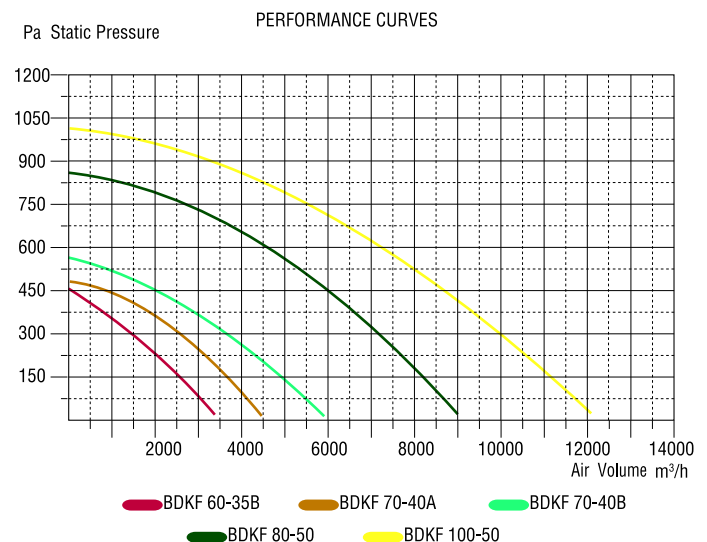
Packaging: Individually carton box

Technical Characteristics

TYPE	Voltage V	Frequency Hz	Power W	Cur. A	Capacitor μ	Speed rpm	Air Flow m ³ /h	Noise level db(A)	Perm. Amb. Temperature °C	Weight kg
BDKF 30-15	230	50	90	0,35	2,5	2650	520	48	70	7
BDKF 40-20 A	230	50	105	0,46	4	2762	940	53	70	12
BDKF 40-20 B	230	50	140	0,6	5	2693	1200	57	70	13
BDKF 50-25	230	50	213	0,95	6	2546	1800	52	70	16
BDKF 60-30	230	50	130	0,6	4	1400	2000	50	70	17
BDKF 60-35 A	230	50	200	0,9	6	1385	2800	53	70	35



TYPE	Voltage V	Frequency Hz	Power W	Cur. A	Capacitor μ	Speed rpm	Air Flow m ³ /h	Noise level db(A)	Perm. Amb. Temperature °C	Weight kg
BDKF 60-35 B	230	50	400	1,9	8	1370	3400	58	70	37
BDKF 70-40 A	230	50	600	2,7	14	1320	4500	60	70	42
BDKF 70-40 B	230	50	680	3	18	1378	5900	62	70	44
BDKF 80-50	400	50	1700	3,5		1375	9000	64	70	65
BDKF 100-50	400	50	2700	5		1360	12000	66	70	93



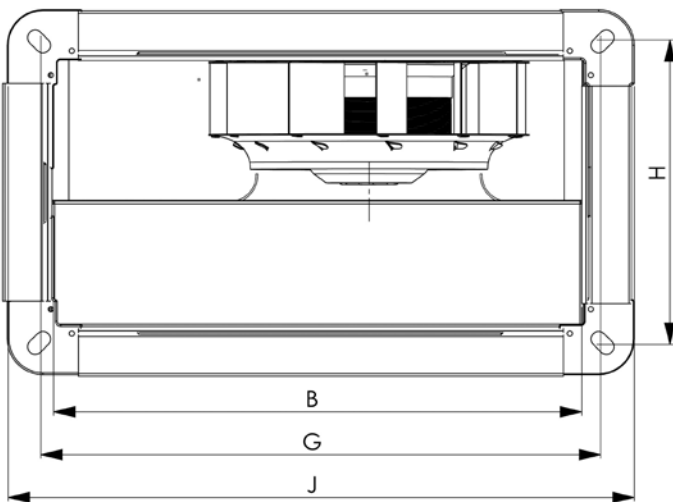
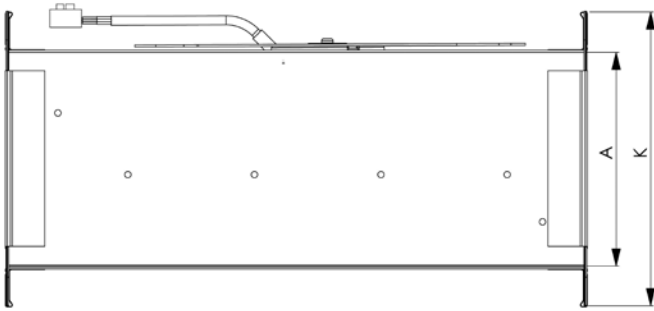
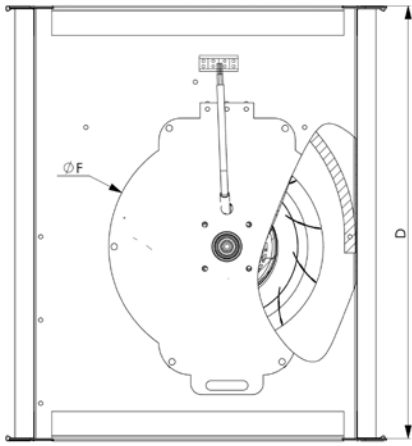
Air Volume data in accordance with the following standarts: DIN 24163

Dimensions, mm

TYPE

Galvanized sheet steel housing

	A	B	C	D	E	F	G	H	J
BDKF 30-15	150	300	180	400	220	320	170	350	200
BDKF 40-20A	200	400	225	500	270	420	220	450	250
BDKF 40-20B	200	400	250	500	300	420	220	450	250
BDKF 50-25	250	500	280	565	340	520	270	550	300
BDKF 60-35A	350	600	315	740	410	620	370	650	400
BDKF 60-35B	350	600	355	740	470	620	370	650	400
BDKF 70-40A	400	700	400	630	500	720	420	750	750
BDKF 80-50	500	800	450	790	650	820	520	850	850



Powered by a Bahçivan external Rotor Motor



Backward curved, Bahçivan BDRKF Impellers